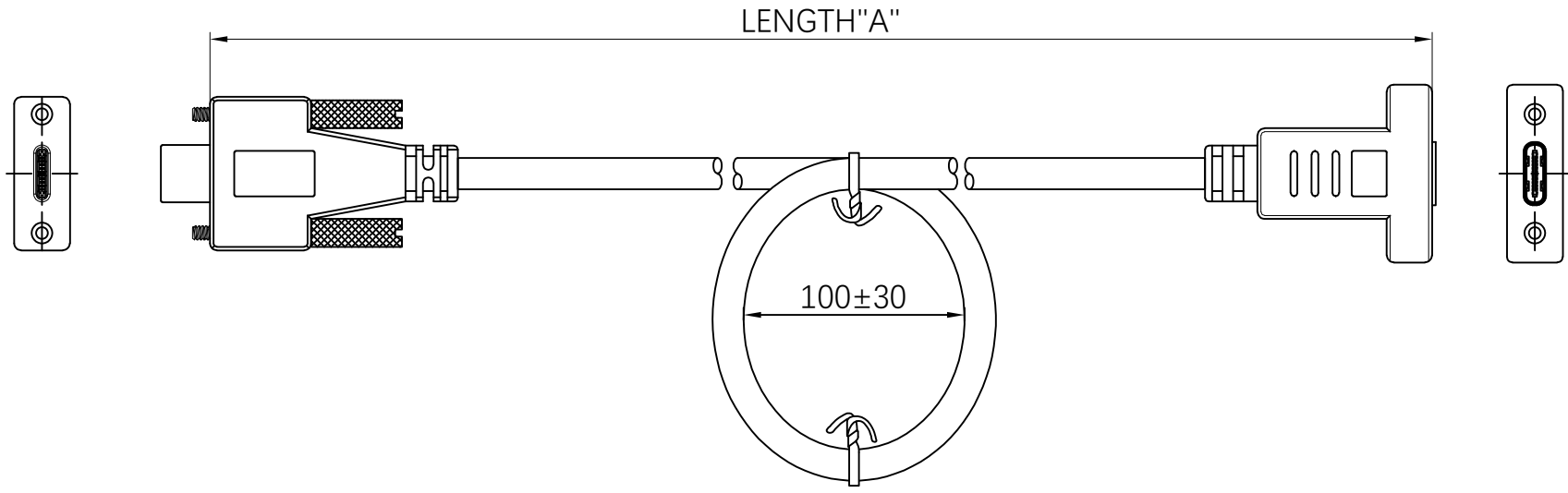


REV	ECN NO	DESCRIPTION	DATE	APPROVED
A	-	NEW RELEASED	2020.07.28	MAY.YU

Customer drawing

RoHS



Electrical specifications:
 Use of voltage range: 5V
 Current range: 2A
 Temperature range: -20°C~+80°C

Material specifications
 Cable: Type-C Cable
 Connector: Type-C Connector
 Overmolding: Black PVC


Mechanical properties
 Minimum bending radius: Fixed installation: 8x Cable OD
 Flexible installation: 10x Cable OD

Electrical testing of finished cable
 100% Open / Short / Miswiring testing
 Insulation resistance: DC300V 10MΩ
 Conductor resistance: 5Ω



UNMARKED TOLERANCES	
DIMENSIONS	TOLERANCE
x.	±0.5
x.x	±0.25
x.xx	±0.15
0 to 500	+15 / -0
> 501	+3%/-0 of length
ANGLES	
x°	±1°

TITLE	
STANDARD USB TYPE-C PLUG/SOCKET PANEL MOUNT CABLE ASSEMBLY	
CUSTOMER	-
DRAWN BY	MAY.YU
CHECKED BY	BILL.LEE
APPROVED BY	TIGER.WANG

 TEL: +86 0755 27801940 Mob: +86 15889397634 www.techedom.com		CUSTOMER PART NO.		-	
		PART NUMBER		usb4-screw	
DRAWING NUMBER		usb4-screw		SIZE	REV
SCALE FREE		ALL DIMENSION UNIT IN MM		A4	A
				SHEET 1 OF 1	

